

JBL SOUND POWER SERIES

# 4785A

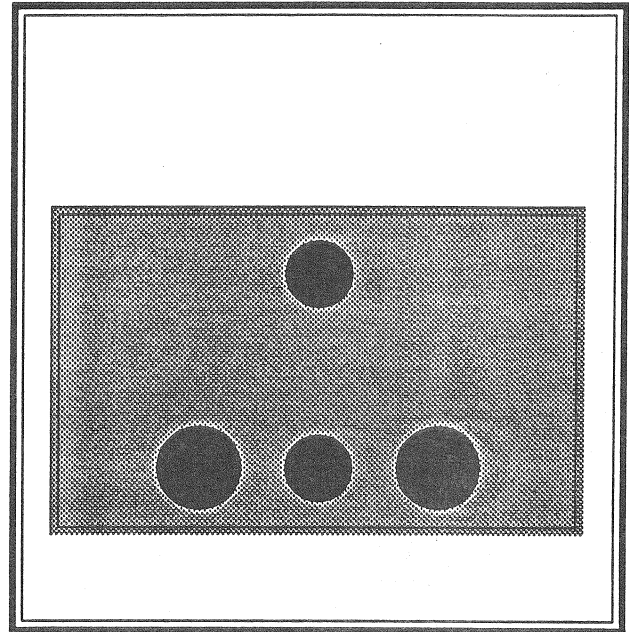
DUAL 380 MM (15")

## TRIPLE CHAMBER BANDPASS™ SUB-BASS SYSTEM

PRELIMINARY SPECIFICATION SHEET

### FEATURES:

- ▶ Triple Chamber Bandpass enclosure design
- ▶ Uniform response and power handling down to 30 Hz
- ▶ Dual JBL 2225H 380 mm (15 in) drivers
- ▶ Rugged and attractive finish



The JBL 4785A is a triple-chamber double-tuned sub-bass loudspeaker system designed to be used in conjunction with JBL Sound Power Series full-range systems. It is intended for installation or touring applications in auditoriums and large halls where the application demands extended, powerful low frequency reproduction at high levels with little distortion.

JBL's exclusive TCB™ (Triple Chamber Bandpass) enclosure design, featured in the 4785A, delivers higher output, greater bass response and significantly lower driver/cabinet distortion than a standard ported enclosure of equivalent volume, at the same time minimizing compression effects and the noise of air flow through vents. The dual JBL 380 mm (15 in) 2225H low frequency drivers face opposite sides of the cabinet, creating equal and opposite stresses that cancel one another out before being transferred to the cabinet. Reduced cone excursion is an added benefit of the TCB design.

The 4785A requires an external amplifier and a JBL 5235 or other electronic crossover with a recommended crossover frequency of 80 to 150 Hz, and will uniformly

reproduce frequencies down to 28 Hz. The addition of a 4785A sub-bass unit to a Sound Power Series full-range loudspeaker increases efficiency and headroom across the whole system by separating VLF signals with their high power demands.

Input is via an 8-pin Neutrik Speakon™ socket, with a second Speakon carrying loop-through signals for direct connection to a suitable JBL Sound Power Series full-range system. The heavy duty rear connector panel features a threaded insert to accept an M12 safety eyebolt. JBL's special 8-conductor cabling is available as an option, featuring four different wire gauges for the four frequency bands.

The 4785A cabinet is internally braced and fabricated from 18 mm (3/4 in) Finnish birch plywood for strength, stability and durability. A long-lasting dark grey acid-hardened paint finish matches the look of the 4785A to the rest of the Sound Power Series. Recessed cutout handles and heavy gauge vent grilles are the finishing touches to an already versatile and powerful sub-bass system.

# PRELIMINARY SPECIFICATIONS

## Model 4785A

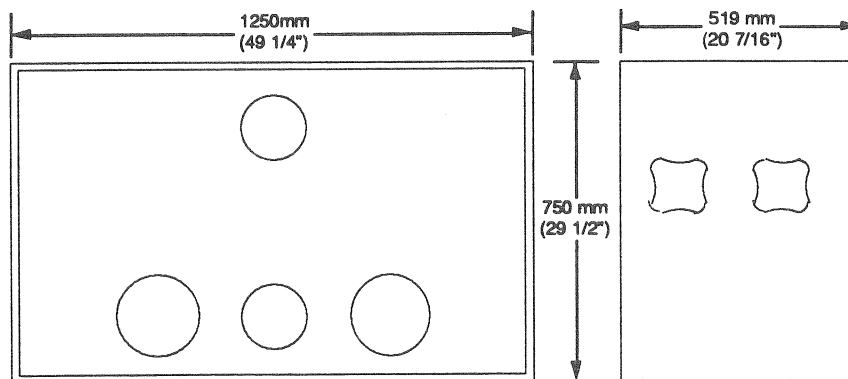
Components	2 – JBL 2225H low frequency transducers
Frequency range (-10 dB)	25 Hz—250Hz
Frequency response ( $\pm 3$ dB)	32 Hz—180 Hz
Enclosure tuning	35 Hz, 83 Hz
Sensitivity	103 dB (2.83 V, 1 m)*
Power capacity	800 W (continuous program)**
Maximum SPL (1 m, continuous sine wave)	TBA
Recommended crossover frequencies	80—150 Hz, 30 Hz low cut
Nominal impedance	4 ohms
Connectors	2 – Neutrik Speakon NL8MPR
Dimensions	1250 mm W x 750 mm H x 519 mm D (49 1/4" W x 29 1/2" H x 20 7/16" D)
Finish	Dark grey acid-hardened paint
Net weight	TBA

### Accessories:

4770ADL	Cover/Dolly
NL8FC	Neutrik Speakon Cable Connector, 8-Pin
NL8MM	Neutrik Speakon Coupler, 8-Pin
3700-8	8-Wire Speaker Cable
3705-8	8-Wire Speaker Cable, 5 m, with NL8FC Connectors
3720-8	8-Wire Speaker Cable, 20 m, with NL8FC Connectors
4700APNT	Touch-Up Paint

\* 2.83 V is 1 W across an 8 ohm load.

\*\* Continuous program power is defined as 3 dB greater than continuous sine wave and is a conservative expression of the transducer's ability to handle typical speech and music program material.



JBL continually engages in research related to product improvement. New materials, production methods and design refinements are introduced into existing products without notice as a routine expression of that philosophy. For this reason, any current JBL product may differ in some respect from its published description but will always equal or exceed the original design specifications unless otherwise stated.



JBL International, 8500 Balboa Boulevard, Northridge, CA 91329 U.S.A.  
A Harman International Company

TSS4785A 8/90